

TRI-MODE PRESSURE SENSOR



Model **SGT**[®]

Switch

- Two SPST Switches
- Switches are Independent, Programmable (to SPDT, DPST, HH, LL, HL)
- Adjustable Setpoints, dead bands
- Display shows switch status
- Open or closed failsafe

Gauge

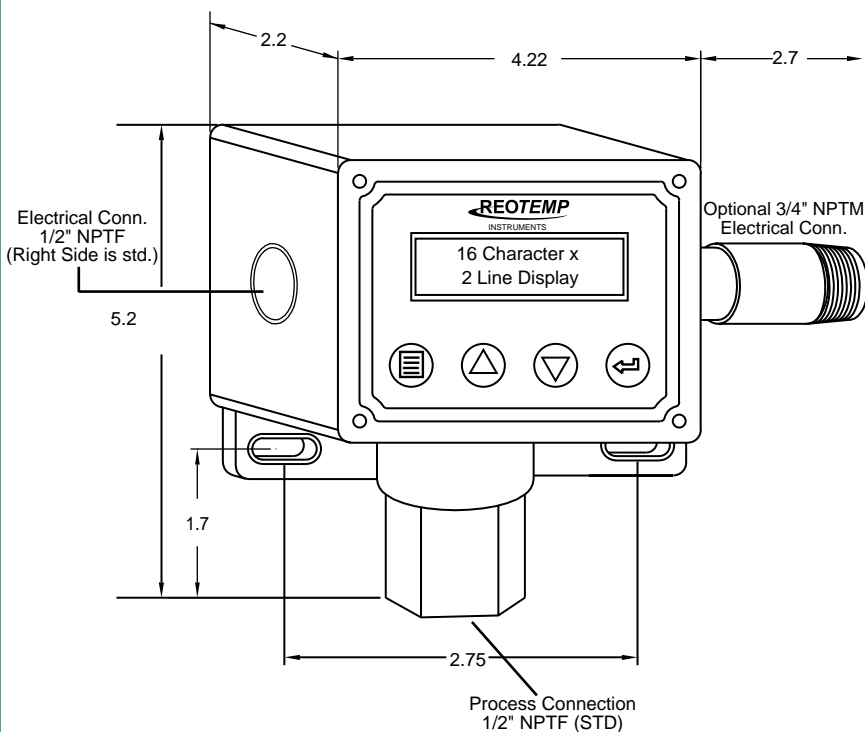
- Local Indicator
- Ranges VAC., 10psi to 2,000psi
- 13 selectable engineering units
- 0.5% Accuracy
- Bench recalibrator

Transmitter

- 4-20 mA Output
- Easy to Program
- Zero & span adjustable
- Up to 5:1 turndown
- + 10% zero offset
- High or low failsafe

**All in One
Easy-to-use
Device**

- Loop Powered (14-30VDC)
- NEMA 4, 4X, IP65
- Easy, Intuitive programming
- 2 - Line x 16 character display
- 316SS, Hast. C-276, or Monel pressure port



The **REOTEMP** SGT Pressure Switch is a convenient, multi-purpose indicator for local and remote pressure sensing. The SGT[®] combines three pressure instruments in one easy to use, self-diagnostic configuration:

Switch: Two independent, programmable SPST Solid State Relays

Gauge: Local digital pressure indicator.

Transmitter: Independent 4-20mA Output for remote display.

Operating the SGT is made simple with a descriptive menu structure with a helpful escape function. The SGT is ideal for applications requiring multiple pressure sensors in a confined area, or consolidating space in a process line.

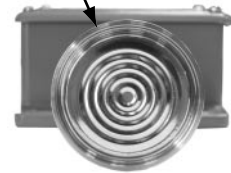
TRI-MODE PRESSURE SENSOR

SGT[®] Specifications

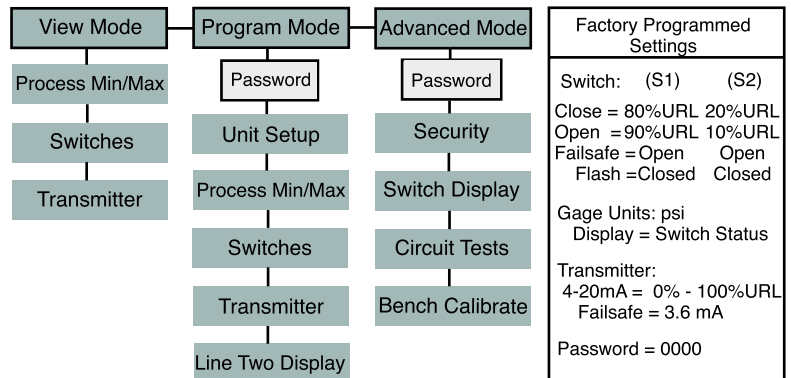
Ranges: Vacuum, pressure to 2,000psi
Over-pressure: 1.5 x range
Temperature (°F): Process: -20/250°F Ambient: -20/160°F
 Compensated: -20/160°F Storage: -40/185°F
Long-Term Accuracy: 0.5% URL Stability: 0.5% URL per yr.
Power: Supply: 14-30VDC (loop powered)
 Electrical Protection: reverse polarity, EMI/RFI
Memory: Non-volatile
Transmitter Response Time: Sensor Sampling Rate: 20 ms
 Switches: ≤ 10 ms Transmitter (90% FSO): ≤ 15 mg
 Self-Diagnostic: ≤ 1 sec. Gauge Update: 600 ms (nom.)
Switch: two independent solid state MOS relays: SPST, NO
 Ratings: 1 A @ 25°C; 0.6 A @ 71°C; 125VAC/120VDC
 Max. inrush: 3A @ 23°C
 Off-State Leakage Current: 10 μa Range: 0 to 100% URL
 Deadband: 0.2 to 100% URL Failsafe: open or closed
Gauge: Range: 0 to 150% of URL (Vacuum, 100%, of URL)
 Resolution: ≤ 0.1% URL
 Engineering Units: 13 selectable
Transmitter: Analog, Loop powered: 4-20 mA, 2-wire
 Zero Offset: +10% URL Span: 20% to 100% URL
 Failsafe: 3.6 mA or 22mA (per NAMUR NE43)
Wetted Parts: (Std.) Sensor: Ceramic (AL₂O₃)
 Process Port: 316SS, 1/2" NPTF O-ring: Viton
Enclosure(Std.): Aluminum with 1 or 2 3/4" NPT conduit connections
 Terminal Block: 14-28 AWG
 Protection: NEMA 4X, 1P65
Mechanical: Vibration: 2g @ 15-150 Hz.; 1g @ 150-2,000 Hz
 Drop/Topple: per SAMA PMC 31.1 Weight: 1.68 lb
Agency Approvals: UL, cUL (Class I, II, III; Div 2; Nonincendive
 ATEX Directive 94/9/EC Ex II 3 G/D



SGT with optional 316SS
3-A Triclamp Sanitary Connection



Menu structure



HOW TO ORDER

SGT	20	2R	2F	VS	RR											
Ranges	10 = 0-10psig 500 = 0-500psig 20 = 0-20psig 1K = 0-1000psig 50 = 0-50psig 2K = 0-2000psig 100 = 0-100psig 30V = 30"-0 Hg Vac Absolute ranges available. Other Engineering units (menu - selectable): inH ₂ O, ftH ₂ O, in Hg, bar, mbar, mmH, mH ₂ O, mmHg, kg/cm, Pa, kPa, MPa	Process Connection 2F = 1/2" NPTF (std.) 2M = 1/2" NPTM BF = G1/2" (F) Sanitary Triclamp (3-A) Max 600psi with std. clamp C8 = 1 1/2" Triclamp C9 = 2" Triclamp Other Triclamp sizes available. std. fill = glycerin	Wetted <table border="1"> <tr> <th>O-Rings</th> <th>Temp °F</th> </tr> <tr> <td>V = Viton(std)</td> <td>(-20/250 °F)</td> </tr> <tr> <td>B = Buna-N</td> <td>(-40/200 °F)</td> </tr> <tr> <td>N = Neoprene</td> <td>(0/200 °F)</td> </tr> <tr> <td>E = EPR</td> <td>(-40/200 °F)</td> </tr> <tr> <td>K = Kalrez</td> <td>(40/250 °F)</td> </tr> </table> Pressure Port S = 316SS (std) H = Hast. C-276 M = Monel Triclamp Wetted Parts SS = All 316SS	O-Rings	Temp °F	V = Viton(std)	(-20/250 °F)	B = Buna-N	(-40/200 °F)	N = Neoprene	(0/200 °F)	E = EPR	(-40/200 °F)	K = Kalrez	(40/250 °F)	Options AB = Absolute Pressure Range RR = S.S. Tag PK = Pipe Mounting Kit CE = Atex Approved CE compliant configuration (requires # 3 elec. conn.) PP = Fiber Tag W52S = Diaphragm Seal, 316SS, w/ 1/2" NPTF (other seals available) Max press.= 1,500 psi) std. fill = silicone CC = Cert. of Calibrator CM = Cert. of Wetted Materais
O-Rings	Temp °F															
V = Viton(std)	(-20/250 °F)															
B = Buna-N	(-40/200 °F)															
N = Neoprene	(0/200 °F)															
E = EPR	(-40/200 °F)															
K = Kalrez	(40/250 °F)															
Electrical Connection																
2R = 1/2" NPTF (Right) (std.) 2L = 1/2" NPTF (Left) 2B = 1/2" NPTF (R + L)																
3R = 3/4" NPTM (Right) 3L = 3/4" NPTM (Left) 3B = 3/4" NPTM (R+L)																